

# Chicago Tribune



Vol # XX Issue #11

Hotline (708) 262-8707

Nov 1995

## DEANNA'S DIARY.....



Well, we survived! Yes, one meeting under our belts and I managed to get us through without any major catastrophes. And, we even managed to bring out quite a few in attendance thanks to Rori and her fantastic costume party. Those attending were: Allannah, Amanda O, Amber, Barbara Lee, Bobbie S, Candace, Carol G & Sue, Carol R, Christine, Deanna, Dee Dee, Edie, Gloria, Jackie V, Jamie P, Janet D, Laura B, Lee, Lenore, Leslie & Linda, Madelyne, Marcia, Miranda, Naomi & Rachel, Pamela M, Rhonda M, Rose, Sherry Anne, Sunny, Susan V, Toni, Vera, Alicia H, Bobbie H, Brenda & Wendy, Charlene, Jane, Pamela A, Vanessa & Laura, Michelle & Debbie, Alice, Dana & Roselie, Laurette, Jenee, Pamela J, Paula & Sandy, Nancy, Andrea, Rori, Sally, Diane & Marsha, Tanya, Phyliss, Sharon and Sandra. Guests in attendance were Velma and Fay Bass. Thank you, everyone, for sharing this special evening with us, in particular with all the other events that are going on at this time of the year. If I failed to mention your name, perhaps you failed to check in with Candace when you entered the room.

I would like to take this opportunity to give a special thank you to Candace, who stepped in at the last minute to take attendance and collect fees and dues. I truly placed a handicap on her as I forgot the roster sheets at home. Candace, ever so innovative, had no trouble coming up with her own make-shift roster sheets. Thank, again Candace, for a job well done!

All of us would like to give Rori a big hand for the wonderful Costumes on Parade night that she provided for us. I am beginning to believe that those stars and moons around her eyes aren't just make-believe, but she truly is a magician. Thanks, Rori, another job well done.

And a final special thanks to Sally who, again, "whipped" up some great appetizers for us all to enjoy. Her choice of foods to complement the occasion have never failed to be a delight. Thanks, too to you, Sally, for all your work. Sally's assistance also need to be recognized for their efforts; they helped her with bringing the Pop and other refreshments.

As I said in last month's article, this is the only time I get wordy. I tried to keep the business portion of the meeting to a minimum, but as we discovered last month, that is a near impossibility, especially at this time of the year when so much is going on and  
(Continued on page 5)

## This Month At Chi-Chapter

### Fashion Show

will be held on November 18th, at the Holiday Inn Express.  
Meeting starts around 8:15

Betty from Tall Girls will have 'models' wearing the latest in fashion.

**!! In Our Regular Elmhurst Room !!**

If you would like to be a Model for the show, call Betty at Tall Modes at (708) 424-3340

The room will open at 5:00 pm and there will be a changing area available but bring your own towels, etc.

Reservations for a room can be made at (708) 279-0700. Please mention Chi-Chapter

A newcomers meeting will be held in the adjoining room at 6PM.

## Coming Up At Chi-Chapter

December: "Puttin on the Ritz"  
January: Spot Reducing Exercises

## Inside the Tribune

Editor's Corner.....	Page 2
"Where is all This Going?".....	Page 3
Advertising Notes Sunny.....	Page 4
Letters.....	Page 6
..	Page 7
Happenings.....	Page 8

### 'Puttin On The Ritz'





## EDITOR'S CORNER



### 'Puttin On The Ritz'

Make sure to make your reservations for the 'Puttin on The Ritz' on December 16th at the Ramada Inn in Rosemont, IL

You may call the Ramada for room reservations at (708) 827-5131 and tell reservations you are with the Tri-Ess group and would like a tower room for the night of Dec 16th.. The cost is \$63.00

Plan on coming early, Sandra Cole will be conducting a free semiar early in the afternoon . Naomi & Rachel will have an hospitality room at 4:00pm, and Sally, Dave, Faye, and Rori will have appointments available for makeovers etc. Please make your reservations with them as soon as possible.

Cocktails will be served at 6:30pm with dinner at 7:30pm. A coupon will be found at the bottom of the last page. All ticket orders will be held at the door.

### The Dunes.....

As you may have noticed, the Dunes getaway has been falling on the same weekend as the Chi-Chapter meeting. Well, as one who wants to attend both and hasn't been able to. I met with Mary Ann Foster who is one of the founders of the Dunes weekend and will be working with her so that next year we should not have the same problem.

The weekend was originated with IME of Michigan and CGS and has expanded to include many people from Crossroads in Detroit and Chi-Chapter.

### "Error-Will Robinson-Error"

Some members have advised me that they did not get all the pages to last months TRIBUNE. If you did not get **ALL 12 PAGES**, let me know and I will have them mailed to you what is missing. We were notified by the Renaissance group that we failed to put enough postage on last months news letter...We apologize to them and anyone else forced to pay postage due. We will make sure it doesn't happen again.

### Another OOP's

The new **HOTLINE** number is in place alongside the old number. The new area code, however, is still in limbo and doesn't look to start till August of 96.

### Library

At the last officers meeting, it was decided to move the library out of my basement to a more accessible area. Rori has offered the use of the library area of the **FEM UNDERGROUND** (Transformation's basement hall) to be used for the library. Anyone may browse the library and its contents. However, only Chi-Chapter members in good standing will be allowed to check the items out.

Interestingly, in the two years I have had the library, only two books have been checked out. (Please return them, thanks)

### Outrageous

A recent announcement that the Religious right has caused the government to investigate the Television talk shows for being sleazy, immoral, etc. Well Jerry Springers reply was "Whats wrong? All we do is interview outrageous people talking about outrageous things."

### The Chi Tribune

Editor:  
Denise Peters

Printer:  
Regal Press - Schaumburg

The Chi Tribune newsletter is published monthly by Chi Chapter TRI-ESS. Please send all news, information, contributions, comments and suggestions to:

Denise Peters  
PO Box 133  
Park Ridge, IL 60068-0133  
OR

Upload your article-etc. to:  
*LIFETIME BBS*  
The *OFFICIAL* Chi-Chapter BBS  
(708) 438-1901

OR  
AOL-DenisePete  
CI\$-71321,2131  
DenisePete@aol.com

Upload can be in any popular word processing format or ASCII text file. Typed, faxed articles accepted with prior arraignment.

Chi-Tribune Layout Software:  
Microsoft Publisher 3.0

## HEADLINE

### A FULL SERVICE SALON

Make overs / Waxing  
Nails / Tanning  
Hair/Wig Styling

8151 WEST HIGGINS  
CHICAGO, ILLINOIS 60631  
(312) 380-9404

Ask For Judy

The following two companion articles were written by Jane Ellen Fairfax, Chairman of the Tri Ess Board, and wife Frances. Frances states many questions and fears in the article titled "Where Is All This Going?" which wives face when they find out that their husbands are crossdressers Jane Ellen replies in the article "Where All This Is Going." These two articles are must reading for both crossdressers and wives. The articles are reprinted from The Femme Forum September 1995, published by the Tau Chi Chapter of Tri-Ess.

### "Where is All This Going?"

by Frances Fairfax

"You tell me you like to wear women's clothes. What does this mean? For you? For us? For our family? For our future?" These are questions that wrack wives trying to come to terms with their husbands' crossdressing. Like after-shocks following the initial earthquake, these questions and their answers realign the shattered fragments of the relationship into new configurations. Will these be stronger than before, or unstable rubble incapable of supporting a lifetime relationship structure? That will depend upon the degree of honesty, openness, and unselfish love each brings to the marriage.

"What does wearing women's clothes mean to you? Are you gay? Will you be leaving me for a gay lover?" Considering popular social stereotypes, this fear is obvious and deep-seated. The basis of marriage is its exclusive lifetime commitment. An affair of whatever kind breaches that commitment, shatters trust and brings the frightening specter of disease as well as abandonment.

"Does this mean you want to be a woman? Will you opt, for sexual reassignment and life as a woman? Where will that leave our relationship? Will we retire together some day as two little old ladies?" This, too, raises the specter of abandonment, and the loss of cherished dreams of a future life together. Those dreams are of life with a husband!

"Does this mean you'll want to change your body to make it more feminine? Will you be wanting to shave your nice hairy chest and legs? Grow your fingernails longer? Let your hair grow? Have electrolysis to remove your facial hair?" Obvious physical changes present more immediate fears. They broadcast tangible evidence of his "difference," to his wife and to the world. Family, friends, co-workers, and children will begin to notice little clues. How will he answer their questions? How will she? She's the one they'll ask. Has he even thought about it?

"Will you want to take hormones? How will you get them? From a 'friend'? From Mexico? From one of 'those' doctors? How do you plan to check your blood chemistry?" "Cardiovascular disease kills more men your age than anything

else as it is. "And suppose you succeed and develop some breasts? How will you explain them the next time the family goes to the beach?" Fear of eventually losing you to transsexualism is eclipsed by the more immediate fear of losing you to a heart attack or stroke.

In most cases there is yet another specter of loss. A wife may be willing to forego her own dreams and live out her life with an openly transgendered husband, but what about their children? Children need their father. Fatherlessness is the leading cause of social pathology today. Will their children's future be sacrificed? Who will be there to give their daughters in marriage? Whom will their sons bring their fiancées to meet? More immediately, will their daddy be there to watch their sports events? Take them camping? Model healthy manhood?

Then there are fears of economic loss. Will he lose his job if his boss finds out? Will the family lose their home? Has he thought of contingency plans? What is his vision of the future? Does it include his wife and children? Just where is all this going?

### Where All This Is Going

by Jane Ellen Fairfax

Our love and our devotion

Were deep as any ocean.

Then one day, like the tide, you began to change. And you became - a perfect stranger.

- "Losing You"

Losing us! Many a crossdresser's wife lives in fear that a stranger, once her life partner, will announce, set-faced, that he is abandoning their relationship. How I wish I could dismiss those fears as groundless! All too often, however, I have seen them justified by reality. Unless a transgendered person is a primary transsexual, there is no reason he cannot spare his wife the loss she fears. "Why," ask some wives, "do I have to be the one to control the crossdressing?" Good question! Crossdressers can and should do their part to define a mutually satisfactory role for crossgender expression in a lifecommitted relationship. To reach a solution requires that we reaffirm our marriage vows and place "our" needs before "my" wants.

It all starts with love - the love that will not see its object hurt. Most honest crossdressers can set general boundaries for crossgender expression. These boundaries will create a "safe estate" in which a couple will be free to explore and accommodate each other's needs. According to a recent study, over 82% of crossdressers are exclusively heterosexual. Early on I was able to reassure Frances that my crossdressing would not affect my sexual orientation. Like most crossdressers, I am one person - a genetic male attracted to women. The question of Jane's sexuality thus became moot! Freed from that fear of loss,

*(Continued on page 4)*

*(Continued from page 3) (Where All This Is Going)*

Frances and I were able to define a place for Jane in the sexual aspect of our marriage.

Establishing a "safe estate," crossdressers can also assuage the fear of loss to sexual reassignment. Here, a little mental "elbow grease" is required. Sometimes the crossdresser can fantasize the various aspects of life as a woman, and ask himself whether he would be happy if his male self were destroyed. Attending a long convention and staying en femme for a week convinced me that my masculine side was valuable. When Frances asked me whether we would eventually retire as a couple of little old ladies, I honestly did not know. She did know, however, that she would not lose me to sexual reassignment, and that I was totally committed to sparing her hurt. Fortified, she was able to resolve with me specific questions of how much feminine expression I needed. Giving our relationship a "safe estate" saved us a lot of battles.

In dealing with specific questions, Frances and I concede each other basic rights and serve as each other's advocate. She knows Jane is a precious part of me. Because she loves me, Jane is precious also to her. When questions of expression arise, she always tries to say "Yes" to Jane. Even when she must say "No," however, she usually finds a way to reaffirm Jane's worth. "Society," she may say, "is just not ready for that." Frances, like most wives needs me as a man, so I try to see that Gil is there for her. When the subject of hormones came up, we let our love solve the dilemma. Jane wanted breasts, so Frances wanted her to have them. Yet my love for her would never put at risk our sexual relationship, or risk a premature death. Premarin creme plus molding with a bra provided Jane with small but feminine breasts and heightened sensitivity, while safeguarding France's needs for a functioning husband.

As the years have passed, we have found many beautiful things in our relationship. Because I have her active approval, I have felt less the temptation to push Jane into areas that might threaten our marriage. My establishing a "safe estate" has left Frances free to explore and accept even more. And so love begets love, and growth begets growth - for both of us.

Effecting a safe estate requires insight. But insight does not happen without honesty. The crossdresser needs to perceive where fantasy ends and reality begins. This means facing head-on some stark truths. Crossdressers are not two persons, but one. Society has not reached the point of full acceptance, so bosses, children's peers, friends and relatives may be less than enamored with crossgender expression. Sexual reassignment will usually yield a result that is less than perfect, and the Y-chromosome can never be erased. Hormones can net breasts and skin-softening, but carry the risk of life-threatening side effects and obliterate sexual function. In Genderland there are plenty of people who will tell the transgendered person what he wants to hear.

*(Continued on page 5)*

#### ADVERTISING NOTES by Sunny

The Fashion Exchange at 201 W. St. Charles Rd. in Villa Park has rescheduled their open house. It is set for Sunday, December 3rd, from 1 to 5 PM, with snacks and beverages being provided, so pick out your ritzie outfit for the Ritz.

Also, the Fashion Exchange has announced that they will remain open Tuesday evenings for your shopping enjoyment if you call in advance.

\* \* \* \*

Verna Venus at 3648 W. Fullerton Ave, Chicago, invite you to a get acquainted open house on Sunday, January 14th, from 1 to 6 PM. Colleen and Verna carry a complete line of Avon cosmetics, lingere, hosiery, and accessories. Colleen has informed my that she has a limited supply of hard to find large size rings (11-12-13) available, so stop in before they're all gone.

\* \* \* \*

I'm pleased to introduce our newest advertiser, Second Vouge, Inc. located at 3510 Milwaukee Avenue in Northbrook, Illinois. Jan, the owner, is a nice friendly person and is planning to have a special transgender evening every month on the third Friday, from 6 to 10 PM, for you shy girls. Next months special evening will be on Friday, November 17th, but remember you are welcome anytime during normal business hours. Jan carries upscale new and consignment clothes, shoes, and jewelry, so stop in and say hello.

Amanda's AD

*(Continued from page 1) (Deanna's Diary)*

needing to be reported. Our thanks to Sunny, Miranda, Candace, Rori, and Naomi on their reports. My apology to anyone overlooked, I kept poor notes that night and most of this is from memory.

As also discussed last month, at the October meeting, we had 53 dues paying attendees; at \$10.00 per person, that is an income of \$530.00. The meeting room was \$379.00 and the refreshments were \$158.00, for a total of \$537.00 in expenses. For all of us non-geniuses, that is a net LOSS of \$7.00. I am recommending an increase in meeting fees to \$15.00 until we are in better financial shape. I received a few letters of support since last month's article, and we had a very concerned discussion at the October meeting, but nothing was resolved nor was anything recommended and enacted upon. Please consider this a most important item to resolve.

I was very excited to see the great response to Peggy Rudd's book, Love Calendar; I have more that I will bring to the next meeting. If you liked that book as demonstrated, make it a must to purchase her other three. Peggy's first book, My Husband Wears My Clothes, would most definitely list on any crossdresser's Top Ten list, closely followed by her Crossdressing With Dignity, and her most recent publication, CROSSDRESSERS: And Those Who Share Their Lives. All can be purchased through PM Publications, PO BOX 5304, Katy Texas, 77491-5304 at a special price of \$39.00 for all four. Please add 15% for shipping & handling. (The preceding was an unsolicited advertisement)

I hope many of you are considering attending the annual Chi Chapter Christmas Dinner and Award's Banquet, Puttin On The Ritz. We will be returning to the Ramada O'Hare again this year; with our past history of great parties, this year's event promises even more events to remember. Besides the always great food from the Ramada, and the good dancing music that lasts until the early morning hours, Naomi has arranged for Sandra Cole to make a presentation during the day. The Chapter will then, and not as a result of her presentation, be honoring Sandra with our Chi Chapter Achievement Award as the person outside of the chapter who has provided the most to the community. Sandra is a most worthy recipient of this award as she has been a mainstay of support in the community for more years than she or I wish to mention.

I truly encourage you to attend this year. It is the one time of the year for us to put on our finest or best outfits, and really get "glitzy". It is a time to bring that someone special, if she is willing to share this night with you. So, get into that holiday spirit; check out and patronize those supporting vendors who advertise in our monthly newsletter. Their care and attentiveness to our special needs is a blessing.

One final statement on the banquet. Last year a disturbing

situation occurred that I wish not to happen at any future event. Some of our 'members' attending the dinner with "escorts". This is not permissible. I am sorry if I am offending anyone out there, but for the majority who wish this not occur, I need to make this known. The wishes of those who are innocently offended outweigh the fantasy needs of the few that this may offend.

Thanks to all for listening to my words and I hope to see you all at next month's meeting. It is our Thanksgiving meeting and we much to be thankful for this year.

**MONTHLY TREASURER'S REPORT**

INCOME

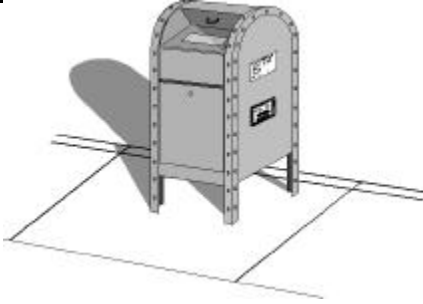
MEETING FEES	
REGULAR DUES	
NATIONAL DUES	
BOOK SALES	
ADVERTISING	
BANQUET	\$530.00
	\$80.00
SUB-TOTAL	\$105.00
	\$35.00
EXPENSES	\$184.40
	\$30.00
MEETING ROOM	
REFRESHMENTS	\$964.80
MISC	
NOW ACCOUNT	\$379.00
	\$158.00
SUB-TOTAL	\$4.00
	\$423.80
	\$964.80

*(Continued from page 4) (Where All This Is Going)*

Rejecting such self-delusion, the crossdresser must insist upon the truth. For his decision will mean happiness or misery for his wife, his children, and himself.

*Reprinted from FIESTA! of the New Mexico Chapter of Tri -Ess*

# LETTERS



## The Dunes....

It was a dark and driry night as I drove towards the Michigan Dunes last weekend with Susan Roberts and Cyndy Janus, (after picking Cyndy up at Midway Airport). It was raining and foggy, but then when I saw the neon sign flashing 'DOUGLAS DUNES INN' I remembered something Olivia had said earlier; "OK", so I knew we were there. Here is a little ditty that Suzy wrote about the Weekend:

This past weekend a "gaggle" of crossdressers and people of gender gathered up at the Douglas Dunes Resort for a little weekend getaway. Despite very inclement (Actually rotten) weather it seemed rather apparent that all had a great time. From a nice dinner on Friday and Saturday night and the yummie brunches on both Sat and Sun, everybody expressed what a nice "laid back time" it was. Denise and I rented a two bedroom cottage and it was just so nice and comfy and what a value! I mean talk about bang for your buck we were served four meals, rent included, which came to 125 buckos a person for the whole package!

In the evening after dinner we'd all retire to the bar for cocktails,. conversation, and some of us even did a lil' dancing (but not on top of the bar!) So all in all a good time was had by all.

LOve ya,  
Suzie

(Susan Roberts)

## IT'S TIME, ILLINOIS NEEDS YOUR INPUT!

You are walking in the shopping mall, minding your own business, when suddenly you feel the hidden stares cutting right through to your soul. You walk into a restaurant and a hush falls over the crowd, followed by whispers as you are shown to your table. It hurt's, doesn't it?

What if those stares and wrs turn into verbal or physical abuse? What if you are denied entry into that restaurant? What if your employment situation is affected, and you are somehow passed over for that long overdue promotion, or are actually fired? What if you lose custody of your children? It no longer just hurts, it is intolerable. It violates your fundamental human rights.

All of us have been subject to some type of discrimination based on our gender orientation. Some has been fairly innocuous, but many of us have experienced the more insidious types of bias, and our lives have been irreparably damaged as a result

The goal of ITI (It's Time, Illinois) is to stop the violation of our human rights. We are working for inclusion of gender identity in local, state and national human rights legislation.

The first step is to document actual cases of discrimination. We plan to have our first report complete by the end of '95. To do so, we need your experiences.

Please, please, please help your sisters by allowing us to interview you and include your story in the documentation report. We guarantee that you will remain anonymous, and all identifying names and places will be deleted from the report.

Call the ITI hotline (708-535-1506), drop a line to our P. O. address (P.O. Box 33, Oak Forest, IL 60452), or contact any of the members. Please don't let the injustices against you be left unheard.

Miranda S., Toni M., Carole A., DeeDee B.  
ITI Documentation Working Group

*Transformations*

by Rori

EVERYTHING FOR A NEW YOU  
AT A NEW LOCATION

SPECIALTIES:

- \*MAKE-UP
- \*SKIN CARE
- \*NUTRITION AIDS
- \*CLASSES
- \*FASHIONS
- \*JEWELRY
- \*ACCESSORIES

146 N. Oak Park Ave., Oak Park, IL  
708-383-8338 / 708-969-6699 / 800-917-2000



**CGS Holiday Dinner**  
Dec 8th

**Harveys Prime Rib**  
Westmont, IL

CGS/TriEss members \$23 Non-Members \$25

At the Door \$30

For Info: 708-863-7714

November

H

Nov 14 CGS Meeting Stardust (708) 863-7714  
Nov 11 Gemini Gender Group Brookfield, WI (414) 297-9328  
Nov 11 CGS Social Legacy 21

A

Nov 15-19 Holiday En-Femme Calgary, AB, Canada  
Nov 18 Chi-Chapter Meeting Holiday Inn Express  
Nov 23 Northwest Indiana Gender Group Portage, IN (219)929-8533  
Nov 25 FEM Underground 8pm

P

Nov 24 Bad day for the turkey guy below.  
Nov 28 CGS Social/Thanksgiving party- Temptations 8:30pm

December

P

Dec 8 CGS Christmas Dinner Harvey's Prime Rib See Page 6 for Info  
Dec 12 CGS Meeting  
Dec 16 "Puttin on the Ritz" Ramada Inn Rosemont

E

CGS has announced that their pageant has been rescheduled for sometime in May. An announcement will be made upon final arraignments

N

I

N

G

S



New TV/TS Support Group  
Northwest Indiana Gender Group  
PO Box 132  
Portage, IN 46368  
  
Meets the Fourth Thursday of the Month at 7:00pm  
  
Call Claudia at (219) 929-8533 for more information

Save the date! Save the date!

Chi Chapter's  
***PUTTIN' ON THE RITZ***

to be held on Saturday Evening,  
 December 16, 1995 at the Ramada Hotel O'Hare

**Dr. Sandra Cole to be honored**

In 1985 CHI Chapter created a special award to be presented annually to someone not necessarily a member of the chapter for their special guidance, support of encouragement. This is the award that highlights and keynotes our annual awards banquet and Christmas party and this year we have selected Dr. Sandra Cole to be our guest of honor.

Past recipients of the award include Phyllis Levy, Prof Alan Lanning, Mariette Pathy Allen, Barbara McCoy Getz Judy Simmons and our own Rachel The Chi Chapter Wives and partners as a group, Dr. Peggy Rudd, Jan Sandretti, Rori Petros and our own Sally.

This year's recipient, Dr. Sandra Cole, is a Professor at the University of Michigan Medical School and is Acting Co-ordinator of it, Comprehensive Gender Services Program. She is a sexologist and is an AASECT (American Association of Sex Educators, Counselors and Therapist) certified Sex Educator and Counselor. Dr. Cole serves on the AASECT Board and served as its president from 1989 to 1994. She is also an elected Fellow of the Society for the Scientific Study of Sex. For the past 25 years she has taught sex education to medical students and is noted for her pioneering work in sexual concerns in Rehabilitative Medicine, working with people with disabilities.

For more than 12 years Dr. Cole has been assisting the gender community specializing in topics of health, intimacy and relationships. She has worked with all members of the community including wives and partners. She has also been a consultant, participant, colleague, discussion leader and friend to most of the national and regional gender conferences including our own BE ALL Weekend.

Recently she visited Chi Chapter at our August 1995 meeting. As a special treat Dr. Cole has agreed to lead a discussion program on the topics of romance, intimacy and communications at PUTTIN' ON THE RITZ. The seminar will be open at no extra cost to all Chi Chapter members and their partners during the afternoon of December 16, 1995. The seminar will be held at the Ramada so plan to check-in early and spend the day with us. More details will be announced in the next newsletter.

Chi Chapter has combined our annual awards banquet and Christmas Party with PUTTINI ON THE RITZ to make a really special holiday party. By tradition it attracts many couples. And, it is an opportunity to welcome our many friends.



PUTTING ON THE RITZ stands for the idea that being elegant and beautiful makes one feel good and that "dressing up" is fun. After Dr. Cole's seminar in the afternoon we will have a hospitality room and we will have our usual friends such as Velma, Rachel, Rori, Sally, and Fay there to help us achieve that very special loo, and also new this year, "nails". In addition, David will be there to take your portrait. Further details, including how to make hotel reservations will be in the next newsletter..

So, this holiday season find something really "dressy" to wear and join us for music, dancing and fun at PUTTIN' ON THE RITZ!





HAIR/WIG DESIGNING  
MAKEOVERS  
JEWELRY  
MAKEUP  
NAILS

Rachel's Wigs and Beauty Salon  
1833 W. Irving Park Chicago, IL 60613  
(312) 528-6960

Chi-Chapter Members:  
20% Discount on all wigs

### Second Vogue, Inc.

Upscale New & Consignment Apparel -Shoes -Jewelry

Special Transgender Evening  
Every 3rd Friday of the Month  
6-10PM

Transgender welcome during regular hours too!

3510 Milwaukee Ave  
Northbrook, IL 60062

(708) 298-2244  
Hours 12-7 pm  
Tuesday thru Saturday

20% off  
with this ad



(708)  
530-0201

## The Fashion eXchange

Mary Bodan 201 W. St. Charles Rd  
Mary Anne McNulty Villa Park

The best of New and Gently used  
Woman's Apparel and Accessories

Sizes 4-24 Discount Prices

Brand Name Evening and Causal Wear

New Jewelry and Accessories

Beauty Consultants By Appointment

Hours

Tues., Wed., Fri. 11-5

Thursday 11-7

Saturday 11-5

Tuesday evening hours by appointment

If your clothes are not becoming to you, you should be coming to US!

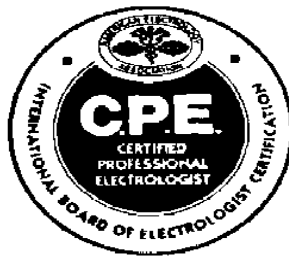


## SUZANNE ANDERER

Permanent Hair Removal

A.E.A. Board Certified

Teacher/Lecturer Electrologist



"This office believes that electrolysis is permanent hair removal, not a 'breaking down process' of repetitious treatments to the same hair, per treatment density counts and photo documentation option prove desired results.

28 E. Lincoln Highway  
(S.E. Mall on RT 30 & RT 45)  
Frankfort, IL

(815) 469-0050

(708) 429-5800

OFFERING 5 TECHNIQUES  
CUSTOMIZED TO YOUR SPECIFIC  
NEEDS:

1. MAGNA FLASH (H.F.)
2. FLASH (H.F.)
3. MANUAL HIGH FREQUENCY
4. BLEND H.F.-D.C.
5. MULTIPLE NEEDLE GALVANIC

TEXTURE OF HAIR AND SENSITIVITY  
OF THE AREA DETERMINE  
TECHNIQUES BEST SUITED FOR YOU.

Mary Kay

Makeovers - Facials  
Independent Professional Beauty

Fay Bass  
(708) 972-1976

Soft Silky Skin Forever, Inc.  
**South Side Girls Electrolysis**

Packages & Gift Certificates Available  
International Guild of Professional Electrolysis  
Illinois Association of Professional Electrolysis  
American Electrolysis Assoc.

Sandi & Jackie (Members of Tri-Ess)  
**(708) 361-4314** 1/2 off with this ad.

Raj Potdar A.I.A.  
President

**Rose Dynamics**  
Architects/Interior Designers  
Residential - Commercial

Phone: (708) 438-7163

Tall Gals AD

**Verna's Venus**

"Foundations to Build a Better You."  
Lingerie - Cosmetics  
Underthings - Hosiery  
Dancewear

3648 W. Fullerton  
Chicago, IL  
(312) 772-2192

Monday thru Friday 8am to 6pm  
Saturday 8 am to 3 pm  
Sunday 10 am to 3 pm  
or by appointment



To: Deanna Johns  
Chi Chapter/Tri-Ess  
P.O. Box 40  
Wood Dale, IL 60191-0040

Date: \_\_\_\_\_

Enclosed is my paid reservation for \_\_\_\_\_ person(s) for PUTTIN' ON THE RITZ on Saturday Evening, December 16th, 1995 at the RAMADA HOTEL O'HARE. I am enclosing a check or money order made out to Chi Chapter/Tri-Ess in the amount of \$\_\_\_\_\_.

PLEASE PRINT YOUR FEMME NAME AND LAST INITIAL: \_\_\_\_\_

Cost: Payment received by 12/10/95: \$30 per person, \$55 per couple  
Payment received after 12/10/95: \$35 per person, \$65 per couple